

DIGITAL
TEMPERATURE
CONTROLLER

CN - 40

DIN SIZE 48x48mm



FEATURES

DIN PACKAGE

PID AUTO TUNING

Low cost

4 digits LED (PV and SV)

Sensor break protection

100 to 240V AC power supply

Various event functions

Standard Specification

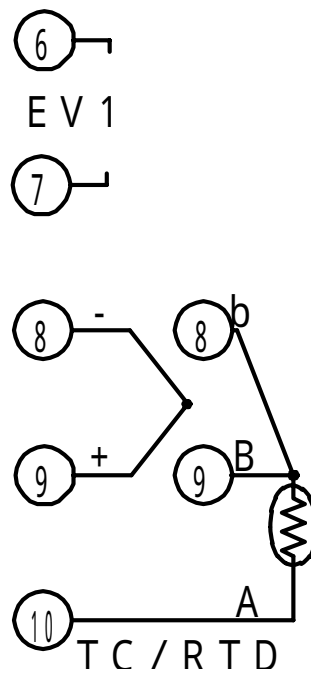
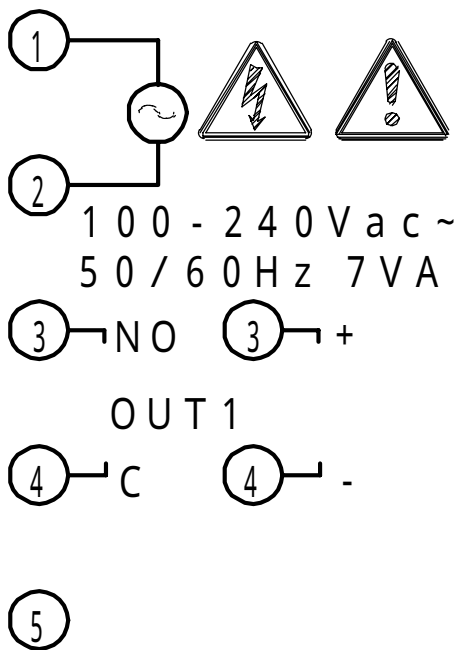
Input	Thermocouple	K, J, T, E, R, N, S , W5Re/W26Re
	R.T.D	Pt100 DIN JPt100
Setting method	By front (up,down) keys	
Indication	PV	4digits 7segments LED green Letter 10mm height
	SV	4digits 7segments LED red Letter 7mm height
	OUTPUT/Event monitor	LED red : OUT / LED red : AL
Control output	PID Autotuning	Proportional band 0.1-300.0% Setting span
		Integral time 0-3600seconds
		Derivative time 0-3600seconds
		Cycle time 1-120seconds
	ON/OFF	Control sensitivity 0- Setting span
	Relay contact	250V AC 3A(Load resistance) 1a contact
	SSR drive	0/12V DC upper 600
Sampling time	0.5sec	
Setting and Indicating accuracy	Thermocouple : $\pm(0.5\%+1\text{digit})$ of process value or 4 ,either of bigger numeral value is taken.	
	R.T.D : $\pm(0.5\%+1\text{digit})$ of process value or 1.2 ,either of bigger numeral value is taken.	
Memory Element	EEPROM	
Voltage source	100V AC to 240V AC(50/60Hz)	
Weight	less than 170g	
Power Consumption	less than 10VA(240V AC)	
Operation Condition	0 to 50 20 to 90%RH(under non-condensation)	
Storage Condition	-25 to 70 5 to 95%RH(under non-condensation)	
Other functions	Control mode changable, C/F chengable PV adjustable,Lock function by front keys	
Event function	Kind of event	21 kinds(Refer to event modes)
	Relay contact	250V AC 3A(Load resistance) 1a contact

Ordering Information

CN - 40

Symbol	Output type
Non	Relay contact output
P	SSR drive voltage output

Wiring



Dimensions

