



CUSTOM PRODUCT DATA

MODEL NO. 100-8-Z050	REV
-------------------------	-----

CUSTOMER BARON BLAKESLEE	CUSTOMER P/N	DWG DATE 9/13/90	REV DATE
-----------------------------	--------------	---------------------	----------

DESCRIPTION

TEMPERATURE HI LIMIT

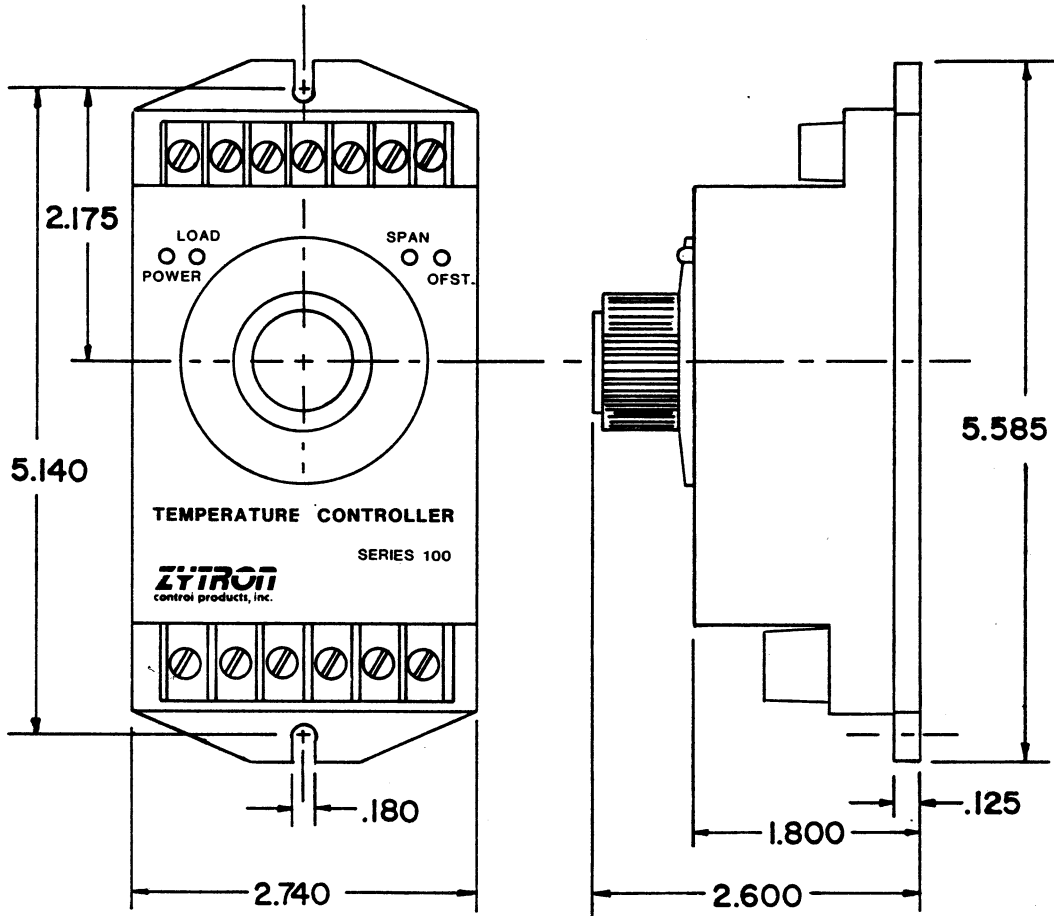
SPECIFICATIONS

INPUT: 24 VAC +10% -15%, 50/60 HZ
OUTPUT: Relay SPDT, N.O.- 20A Res. or 1A P.D. 240VAC
 N.C.- 10A Res. 240VAC
SENSOR: "J" T/C
RANGE: 0-300°F (-20°C - 150°C)
CONTROL MODE: HI LIMIT Alarm with Manual Reset
SETPOINT ADJ.: Local
AMB. TEMP.: 0°C to 50°C

NOTE: This unit is the same as Zytron P/N 100-8-Z004A,
BB P/N 45-075, except 24VAC input instead of 115/230VAC

100-8-Z050

DIMENSIONAL DWG



WIRING DIAGRAM

