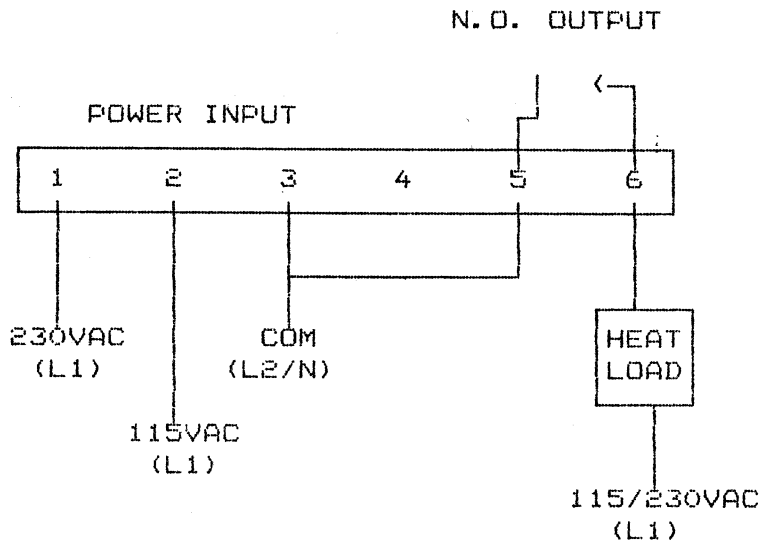
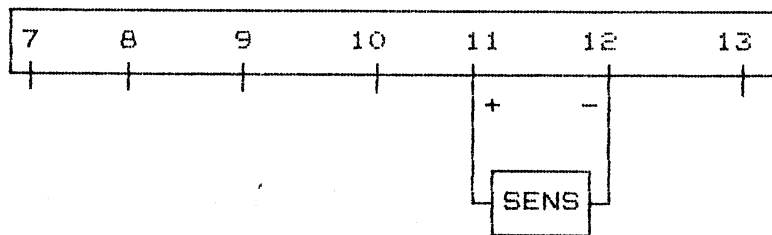


SERIES 100 TEMPERATURE CONTROLLER

POWER WIRING FOR TRIAC OUTPUT



LOW VOLTAGE WIRING



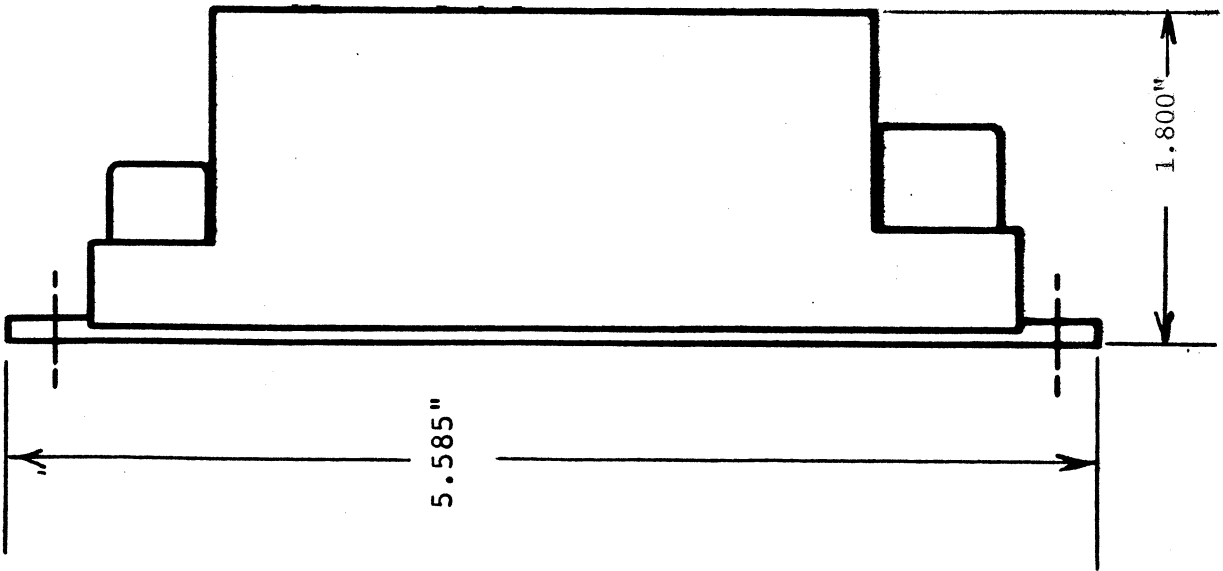
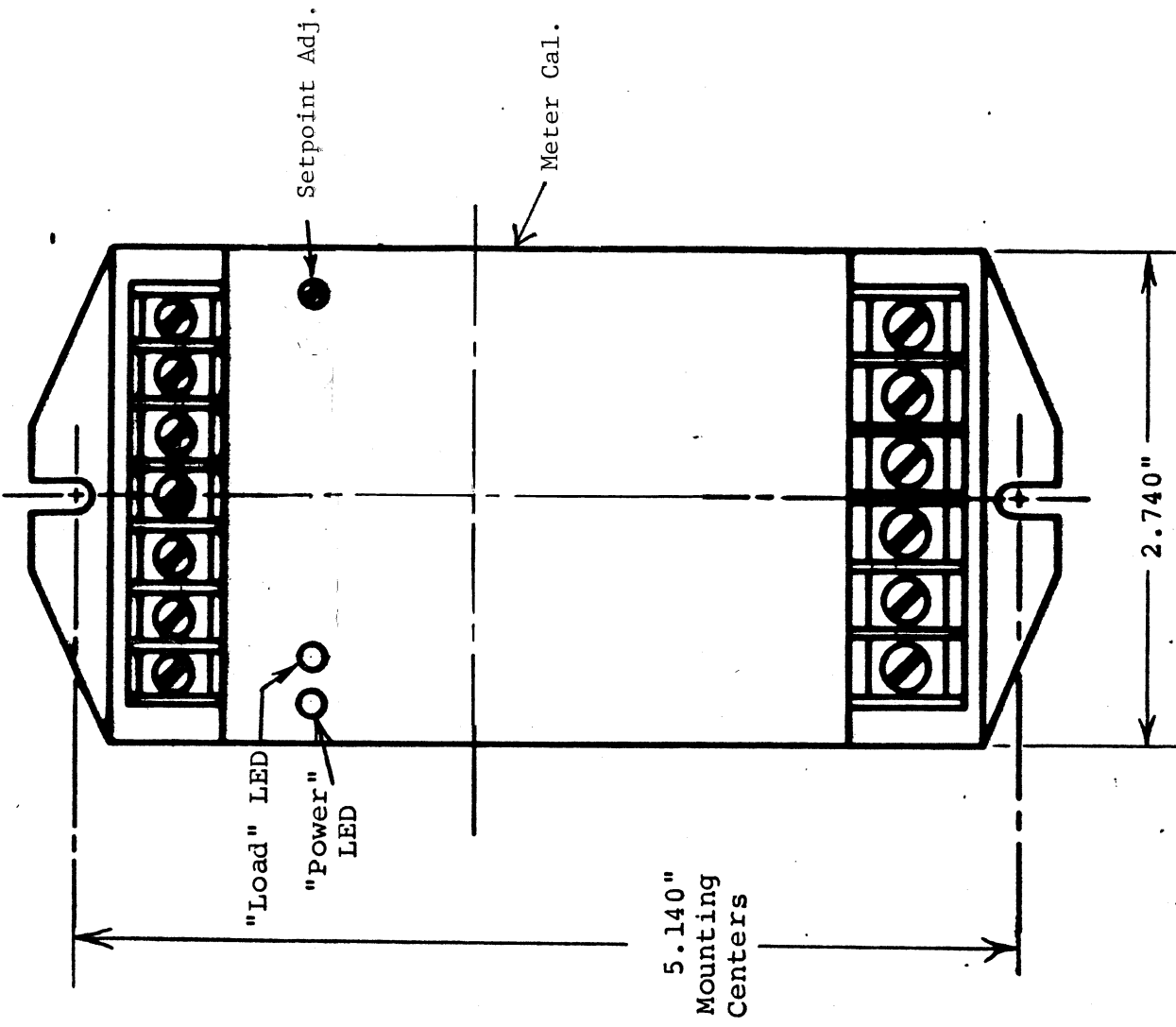


Fig. 1